

OneGuard Mobile Post (OGMP)

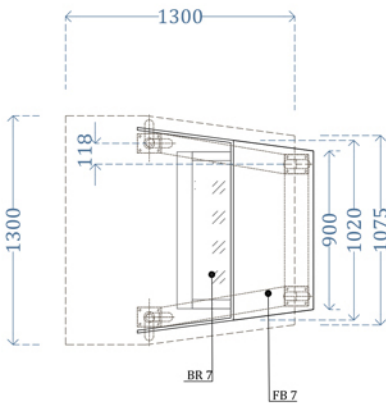
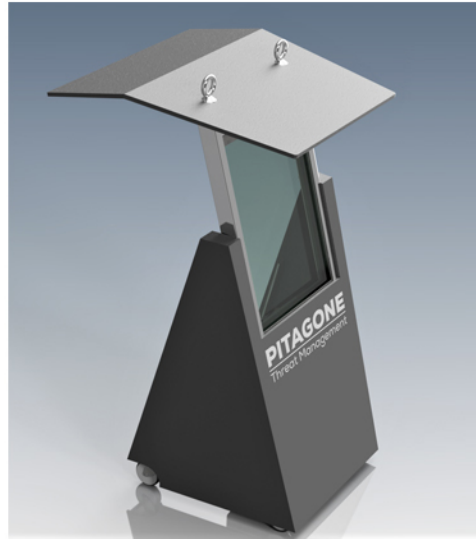
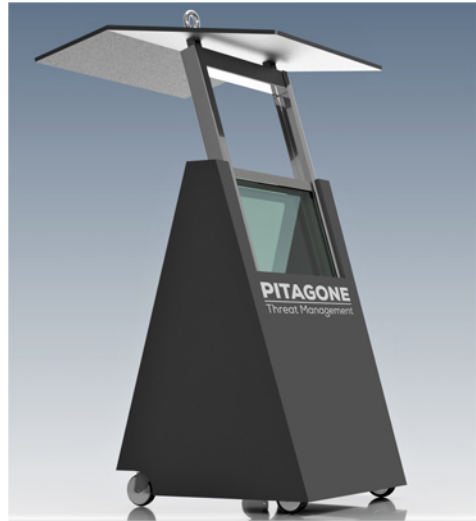
FEATURES

- Lightweight Rapid fortification kit for building 1-man guard posts.
- Protects military/police/security personnel from blast and ballistic threats.
- Meets FB7/ BR7 standards for ballistic resistance of personal body armor.
- Protects against armor piercing rifle fire.
- Adaptable solution to evolving combat situations.
- Contributes to change of routine + change of location without any additional equipment.
- Ideal for installation at entrance of army bases and administrative headquarters.
- Suitable for any outdoor application.
- On Wheels – Mobile.

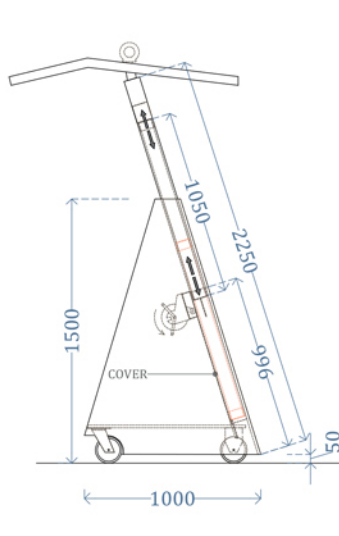
Technical Characteristics	
Name:	OneGuard Mobile Post (OGMP)
Use:	Mobile sentry box protecting the guard against Armor piercing bullet attack & providing the ability to be used as a protecting shooting stand.
Protecting raw material	Bulletproof Steel plate & Glass
Level of Protection & Certifications	
Steel plate	FB7 EN 1522 EN 1523
Glass	BR7 EN 1063
Extra protection test I: (Test Reports)	.50 Cal BMG one hit (steel plate & glass)
	762X51 NATO six hits (steel plate & glass)
Extra protection test II (private testing)	245gr of C4 Explosives attached to steel plate
Extra protection test III (private testing)	Multi shots to steel plate & glass from different angles with different ammo and firearms.
Corrosion protection and coating	
- Corrosion protection primer	- Heavy duty epoxy paint
External Dimensions & Weight	
Total structure	1300mm X 1300mm X 2300mm (LXLXH)
Window (clear view)	790mm X 1050mm (LXH)
Weight	+/- 800kg
Functionality	
Mobility	4 wheels heavy duty 150mm inox / polyurethane. (2 front fixed with break + 2 back rotating with break)
Window frame release	Manual inox lever
Window frame lifting	Manually driven inox winch
Release & Lifting wire rope	Inox 7/19 3mm
Transportation & Warehouse handling	
Roof: 2 removable ring type inox lifting points	Floor: Forklift pockets
Logistic details	
20feet Regular height ISO Container: 4 items with a 20cm distance between them	

PITAGONE

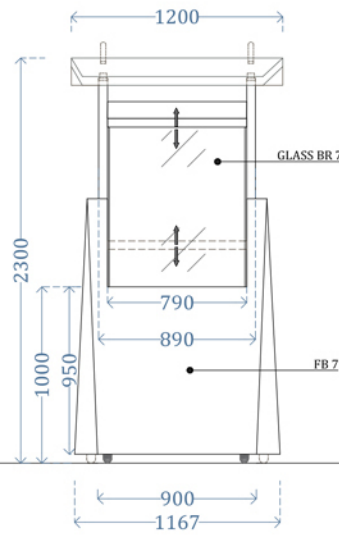
Threat Management



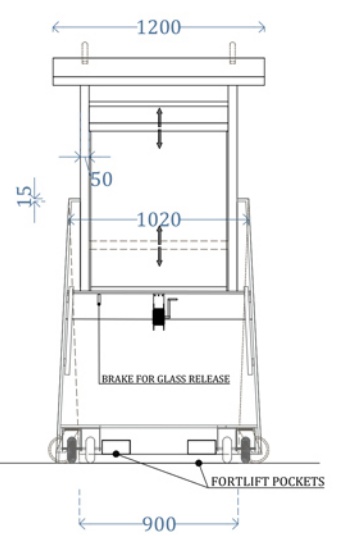
PLAN VIEW



SIDE VIEW



FRONT VIEW



INSIDE VIEW

PITAGONE

Paepsem Boulevard, 16
1070 Brussels | Belgium

OneGuard Mobile Post (OGMP)

PITAGONE OGMP CERTIFICATIONS & EXTRA PROTECTION REPORTS

MATERIAL	OFFICIAL CERTIFICATES	REQUIRED HITS	TEST REPORTS	
			EXTRA HITS	
Steel plate	FB7 EN 1522 EN1523	3	3 Same weapon as certificate	1 Browning Machine Gun 0.5Cal
Glass	BR7 EN 1063	3		
Steel plate	NIJ 0108.08 LEVEL IV	1		
Glass		1		

